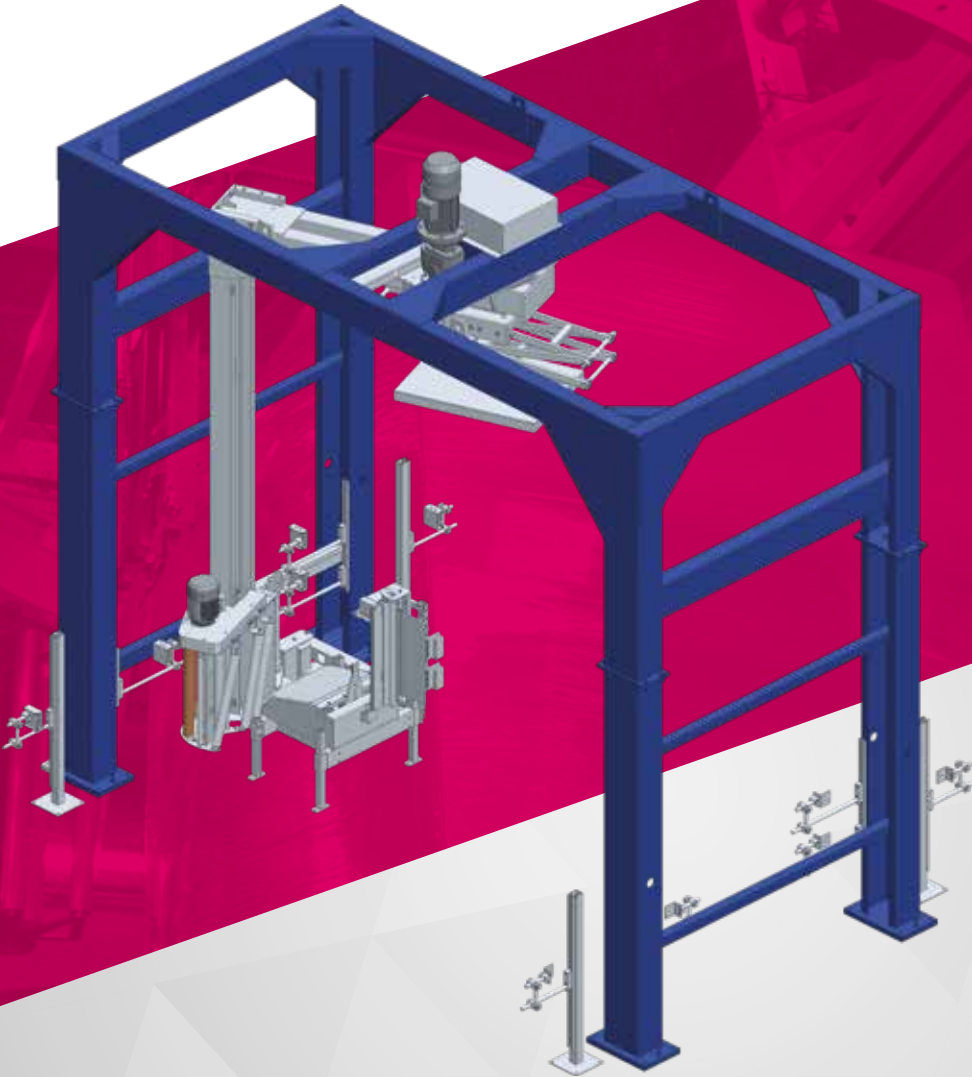




WRAPPING

MOD.

AV1620



STABLE LOADS

LOWER ENERGY & FILM CONSUMPTION

HIGH RELIABILITY & LITTLE MAINTENANCE

 Applications



Construction



Plastic/Cans



Paper



Cardboard



Bags

# AV1620

The rotating arm wrapping machine AV1620 is designed for applications with high production rates and allows the wrapping of unstable or light loads. The variable arm rotation and film-carrier traverse speeds allow the amount of film overlap on the pack to be adjusted to suit the wrapping needs. The film-carrier incorporates a powered film pre-stretching unit. The results are a largely increased reliability and reduced maintenance as well as stable loads with minimal film consumption. The powered pre-stretching

assembly on which the film reel is mounted stretches the film before is applied to the pallet. This system reduces the pressure on the edges of the light or delicate packs and considerably reduces film consumption. At the end of the cycle, the film is cut mechanically with a blade and the film end is held in a gripper ready for the start of the next cycle. a brush assembly presses the loose film end against the pallet and a hot pad unit moves forward to fix the film end to the wrapped pallet by welding.

## Technical data

### Power supply

Voltage	400V 3Phases (50Hz)
Installed power	~ 4,5 kW

### Air supply

Pressure	5,5 ÷ 6,5 bar
Consumption	~ 30 NL/cycle

### Film coil size

Width	500 mm
Max external diameter	250 mm
Max weight	~ 20 kg

### Production

Capacity	Up to 60 packs/h
----------	------------------

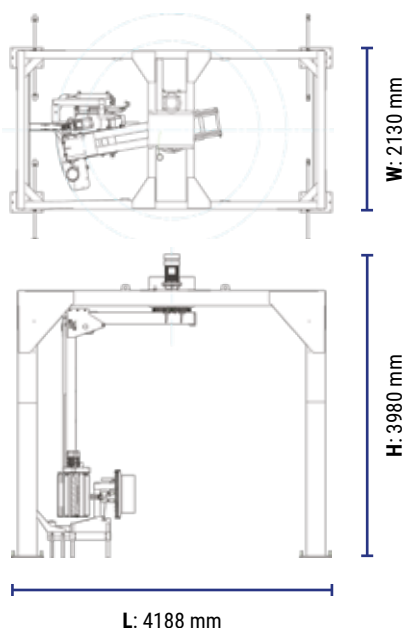
### Pack size (standard machine)

Long side Min./Max.	800 / 1200 mm
Short side Min./Max.	800 / 1000 mm
Height Min./Max.	500 / 1800 mm

### Transport

Minimum height	300 mm
----------------	--------

## Machine standard dimensions



### Options:

- > Top press, stabilizer
- > Roping device

